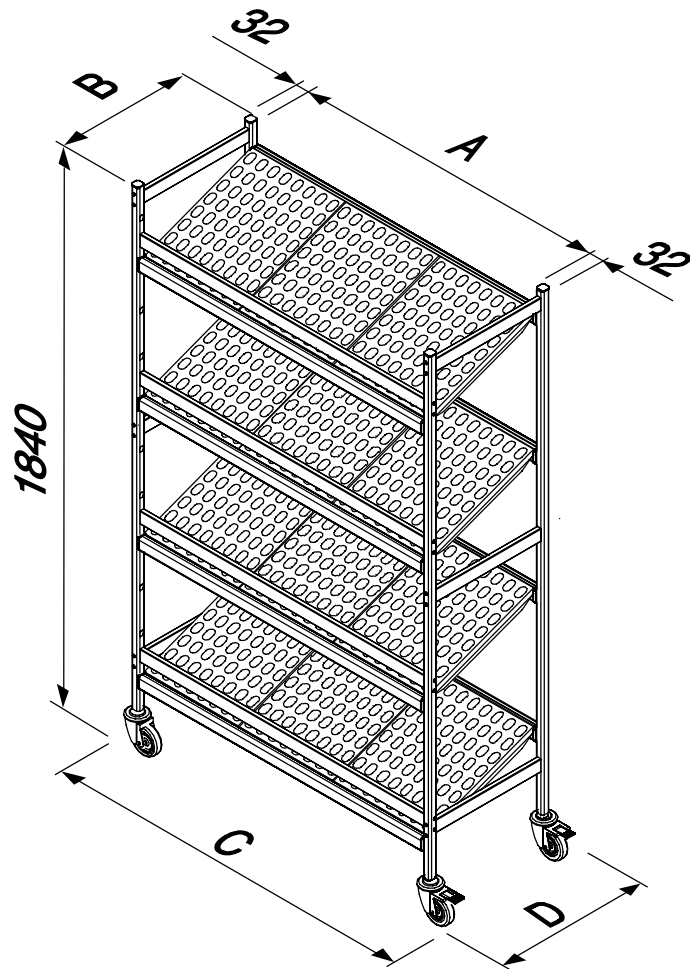


Technical specifications

(values given in mm)

- 📦**: Shelf load capacity
- A**: Shelf length
- B**: Width
- C**: Overall length
- D**: Overall width
- N°**: Max. number of shelves



📦 (Kg)	A (mm)	C (mm)	B (mm)	D (mm)	N°
160	798	907	<div style="display: flex; align-items: center; justify-content: center;"> <div style="font-size: 4em; margin-right: 5px;">[</div> <div style="display: flex; flex-direction: column; align-items: center;"> 450 560 </div> <div style="font-size: 4em; margin-left: 5px;">]</div> </div>	<div style="display: flex; align-items: center; justify-content: center;"> <div style="font-size: 4em; margin-right: 5px;">[</div> <div style="display: flex; flex-direction: column; align-items: center;"> 500 600 </div> <div style="font-size: 4em; margin-left: 5px;">]</div> </div>	<div style="display: flex; align-items: center; justify-content: center;"> <div style="font-size: 4em; margin-right: 5px;">[</div> 3 ÷ 5 <div style="font-size: 4em; margin-left: 5px;">]</div> </div>
140	886	995			
130	974	1083			
120	1062	1171			
110	1152	1261			
100	1240	1349			
90	1330	1439			
80	1505	1614			

Optional



Retaining bar



Separator



Label