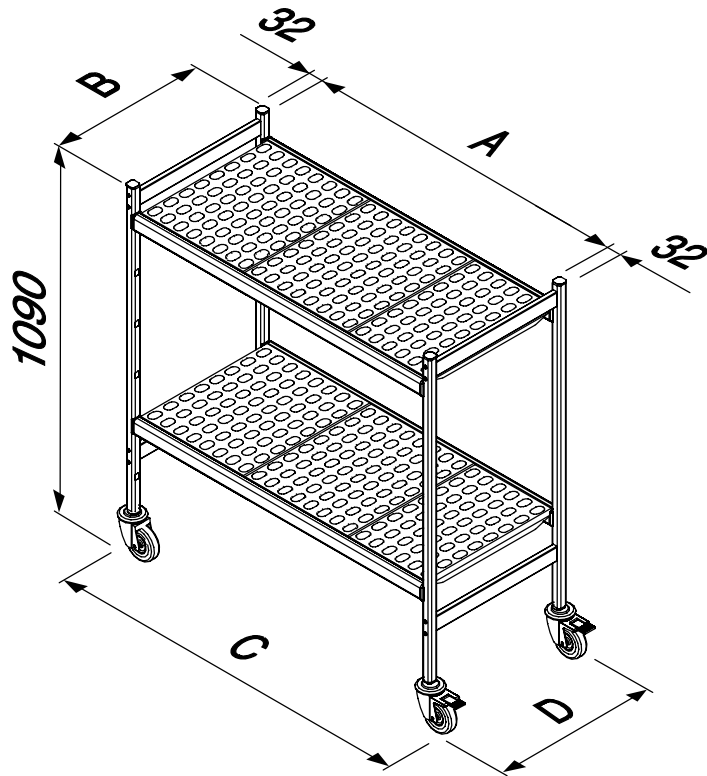


Technical specifications

(values given in mm)

- 📦**: Shelf load capacity
- A**: Shelf length
- B**: Width
- C**: Overall length
- D**: Overall width
- N°**: Max. number of shelves



📦 (Kg)	A (mm)	C (mm)	B (mm)	D (mm)	N°
180	708	817	373	418	2 ÷ 6
160	798	907			
140	886	995			
130	974	1083			
120	1062	1171			
110	1152	1263	577	622	

Optional



Retaining bar



Separator



Label