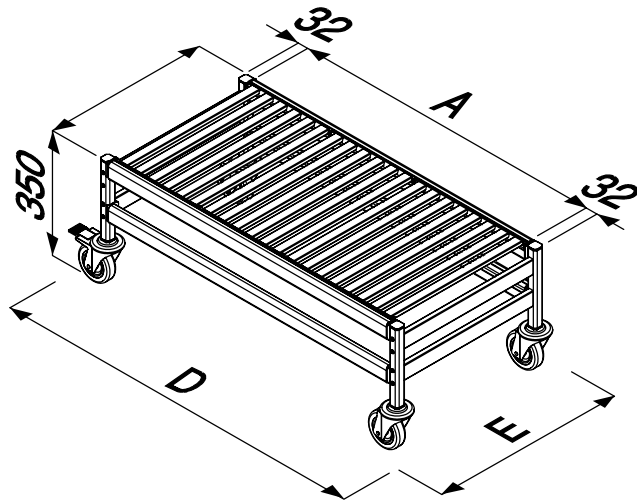
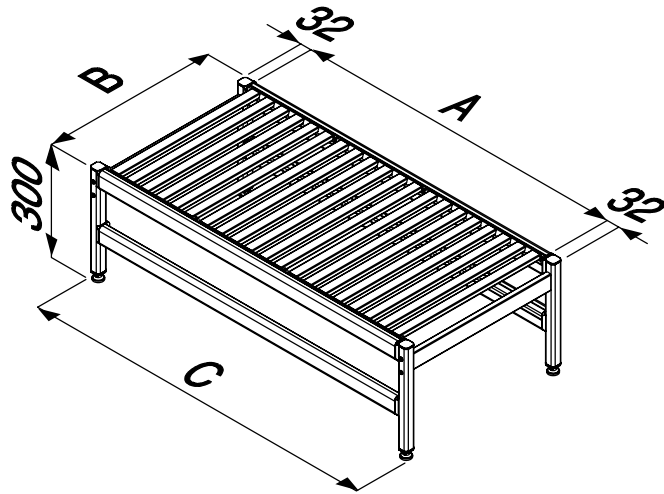


Technical specifications

(values given in mm)

- : Shelf load capacity
- A**: Shelf length
- B**: Width
- C**: Overall length
- D**: Overall width
- N°**: Max. number of shelves



(Kg)	A (mm)	C (mm)	D (mm)	B (mm)	E (mm)
250	620	684	729	475	520
220	886	950	995		
190	1062	1126	1171		
150	1240	1304	1349		

Optional



Retaining bar



Separator



Label